

Welcome to a new FRONTIER !

FRONTIER
WASTE SOLUTIONS

NEWPORT POINTE'S PARTNERSHIP WITH FRONTIER WASTE
SOLUTIONS FOR SOLID WASTE SERVICES

**PLEASE CALL FRONTIER WASTE TO ESTABLISH SERVICE AT 936-
258-9035**

TRASH SERVICE DETAILS

- * Frontier Waste will be providing curbside trash service TWICE PER WEEK utilizing trash containers that the homeowner will provide.
- * **Please have your trash set out at the curb by 7:00 a.m. on your service days**
- * We do not service any type of barrel or drum.
- * Please bag all trash in your containers to help eliminate wind-blown debris in your community
- * You will be billed thru the NEWPORT MUD.

*****SHARPS**: Please put needles used for insulin injections into a thick, hard plastic container to protect solid waste employees (ex: laundry detergent container or sharps container)

TRASH COLLECTION SERVICE DAYS – TUESDAY AND FRIDAY

BULK COLLECTION SERVICE DAY- FRIDAY

HOLIDAY SCHEDULE-

Thanksgiving Day, Christmas Day

If your service day falls on a holiday, service will be provided on the next scheduled collection day. Monday holiday would be serviced on the following Thursday, Thursday holiday would be serviced on the following Monday.

COLLECTION OF BULKY ITEMS

Bulky items will be collected ONCE per week on FRIDAY.

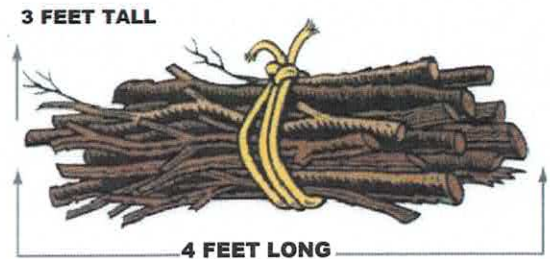
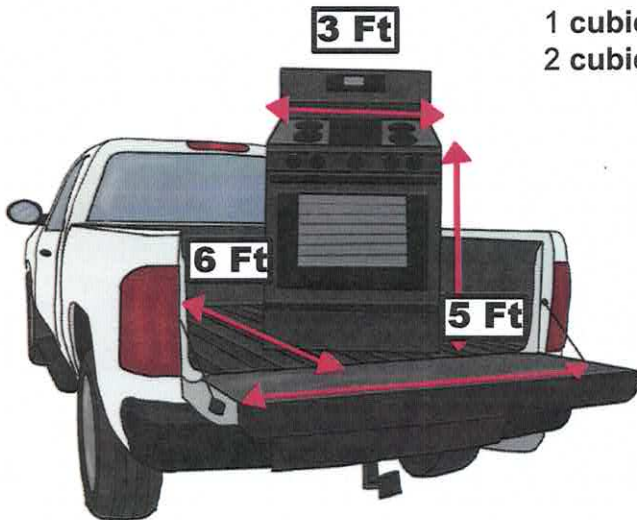
BULKY WASTE / BUNDLED ITEM COLLECTION GUIDELINES:

- * Weight of Bulky Items: Individual Bulky items must be light enough to be loaded into refuse vehicle by two workers.
- * Residents are allowed to set out for collection - **2 yards** of BULKY WASTE per week (refer to diagram of 1 and 2 cubic yards below)
- * Residents can set out acceptable BULKY items that are no larger than 3 feet by 3 feet by 4 feet
- * Please place smaller items in a container or box suitable for lifting items into refuse vehicle
- * Please bundle items such as newspapers, old rugs or small sections of carpet, small limbs
- * Please tie and bundle brush into 4-foot-long bundles. This is to be included in your 2-yard limit.

This is a *general guideline* for determining *bulk sizing*.

1 cubic yard is equivalent to the size of a **stove**.

2 cubic yards is equivalent to the size of a **standard truck bed**.



Maximum Width: 4 Feet
Maximum Weight: 30 Lbs
Maximum Diameter of Branch: 4 Inches

ACCEPTABLE BULKY ITEMS INCLUDE:

- * Furniture such as tables, sofas, chairs, lawn furniture
- * Appliances such as washing machines, dryers, stoves, water heaters, etc..
- * Misc. items including TV's, large toys, basketball goals, sports equipment, bikes, kid's toys must be labeled "bulky item" so they are not mistakenly put into trash truck.
- * Refrigerators/Freezers/AC Units: Items MUST be tagged with proof of freon removal by certified technician in order to collect

BULKY ITEMS NOT ACCEPTED INCLUDE:

- * No construction materials from remodeling projects—must call Frontier to get a quote on roll off container or special pickup
- * No dirt, bricks, rock, concrete, sand, or shingles
- * No stumps or tree limbs larger than 4 inches in diameter – must be split into 4 inch diameter.
- * Heavy bulk - furniture, mattresses, any bags over 50lbs
- * No batteries, tires, pressurized tanks (ex: propane, helium, oxygen, acetylene)
- * No oils of any kind, gas/diesel/fuel, paint, chemicals, solvents, other hazardous materials, etc..